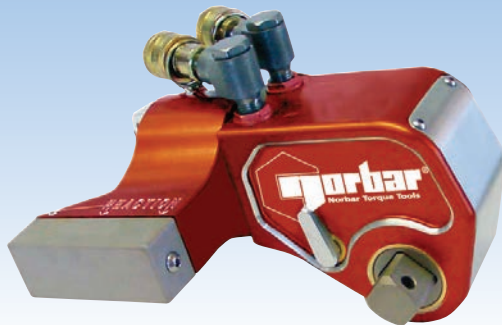


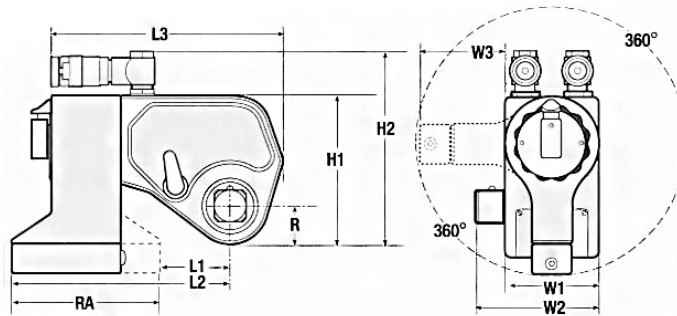
NORBAR TORQUE TOOLS

HYDRAULIC TORQUE WRENCH - NSD SERIES



NORBAR SQUARE DRIVE (NSD) SERIES

- Robust and lightweight aluminum body that completely encloses the drive train assembly, limiting the risk of foreign objects obstructing any internal components.
- Every tool has been calibrated to a $\pm 3\%$ accuracy which comes with its own unique Calibration Certificate and pressure settings for better accuracy.
- The reaction system allows for a 360° rotation that is able to index in increments of 7.5 degrees.
- Anti-Reverse Pawl holds rotational wind-up forces to maintain required torque, with a release mechanism that allows for manual release if 'binding' occurs.
- Light and ergonomic design reduces operator fatigue.



PART NUMBER	MODEL	SQUARE DRIVE	RANGE		DIMENSIONS (mm)										WEIGHT (kg)
			N-m	lbf-ft	L1	L2	L3	H1	H2	W1	W2	W3	R	RA	
73200	NSD-1	¾"	194 - 1,874	143 - 1,382	40	133	151	104	145	50	69	56	30	94	3.18
73201	NSD-3	1"	355 - 3,960	262 - 2,921	47	183	202	124	166	70	91	81	32	136	6.35
73202	NSD-6	1 ½"	765 - 6,928	564 - 5,110	55	193	214	151	199	76	114	89	44	139	9.53
73203	NSD-8	1 ½"	1,150 - 11,585	848 - 8,545	52	175	227	172	214	99	136	122	46	165	14.06
73204	NSD-11	1 ½"	1,407 - 14,633	1,038 - 10,793	57	222	239	187	232	99	136	127	52	127	16.33
73205	NSD-20	2 ½"	2,377 - 24,315	1,753 - 17,934	88	264	295	233	274	126	189	141	76	191	34.02
73206	NSD-30	2 ½"	3,577 - 34,986	2,638 - 25,804	88	276	298	248	289	149	213	141	79	191	41.28
73207	NSD-45	2 ½"	5,966 - 63,223	4,400 - 46,631	186	318	338	285	320	146	210	140	83	189	68.04
73208	NSD-60	2 ½"	6,932 - 74,441	5,113 - 54,905	150	373	406	356	396	184	248	146	95	223	134.26



Part Number 07564 | April 2015 | © Norbar Torque Tools Ltd 2015



UNITED KINGDOM
 Tel + 44 (0)1295 753600
 Email enquiry@norbar.com



AUSTRALIA
 Tel + 61 (0)8 8292 9777
 Email enquiry@norbar.com.au



USA
 Tel + 1 866 667 2272
 Email enquiry@norbar.us



SINGAPORE
 Tel + 65 6841 1371
 Email enquires@norbar.sg



CHINA
 Tel + 86 21 6145 0368
 Email sales@norbar.com.cn



INDIA
 Tel + 91 22 2778 8480
 Email enquiry@norbar.in