

Before You Start!

The Right Angle Gearbox will be used alongside either a Norbar PneuTorque® PTS™, PneuTorque® PTM or an EvoTorque®. It is important to familiarise yourself with the relevant operator's manual before use.

Ensure the tool, socket and reaction are well maintained and not damaged in any way.




NORBAR TORQUE TOOLS LTD
Wildmere Road, Banbury,
Oxfordshire, OX16 3JU
UNITED KINGDOM
Tel + 44 (0)1295 270333
Email enquiry@norbar.com


NORBAR TORQUE TOOLS PTE LTD
194 Pandan Loop
#07-20 Pantech Business Hub
SINGAPORE 128383
Tel + 65 6841 1371
Email enquires@norbar.sg


NORBAR TORQUE TOOLS
45-47 Raglan Avenue, Edwardstown,
SA 5039
AUSTRALIA
Tel + 61 (0)8 8292 9777
Email enquiry@norbar.com.au


NORBAR TORQUE TOOLS (SHANGHAI) LTD
7 / F, Building 91, No. 1122, Qinzhou North
Road, Xuhui District, Shanghai
CHINA 201103
Tel + 86 21 6145 0368
Email sales@norbar.com.cn


NORBAR TORQUE TOOLS INC
36400 Biltmore Place, Willoughby,
Ohio, 44094
USA
Tel + 1 866 667 2272
Email inquiry@norbar.us

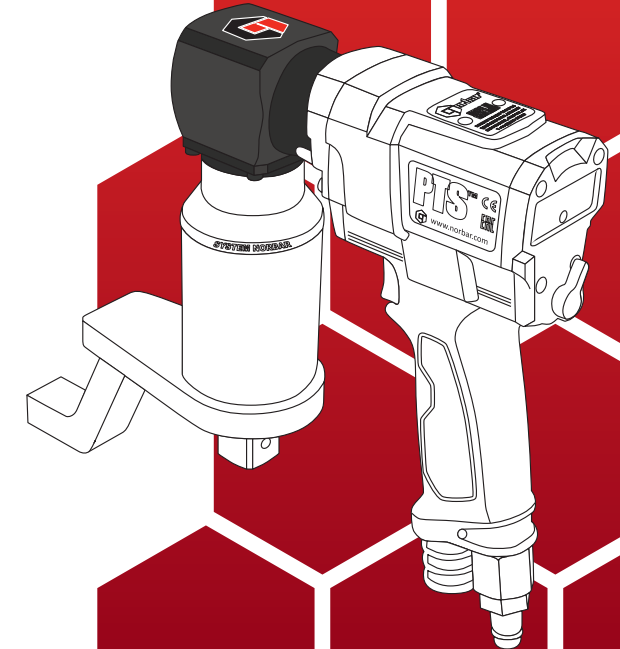

NORBAR TORQUE TOOLS INDIA PVT. LTD
Plot No A-168, Khairne Industrial Area,
Thane Belapur Road, Mahape,
Navi Mumbai – 400 709
INDIA
Tel + 91 22 2778 8480
Email enquiry@norbar.in



THE VOICE OF
TORQUE CONTROL



Right Angle Gearbox



Reaction Safety

These tools feature a reaction plate to take the reaction forces. This creates a crushing hazard if the operator places a hand on the reaction plate.

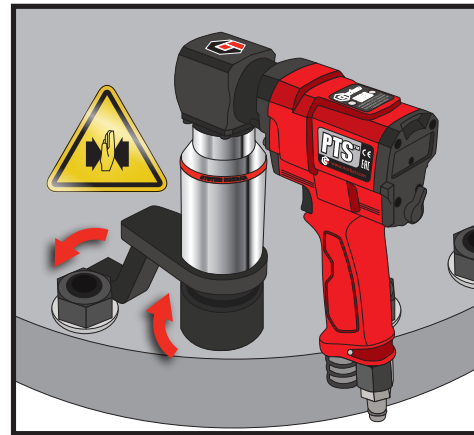
The reaction plate ensures all reaction forces are contained, so torque reaction is not passed back to the operator.

When in use the reaction plate rotates in the opposite direction to the output drive square and must be allowed to rest squarely against a solid object or surface adjacent to the fastener to be tightened as demonstrated in these illustrations.

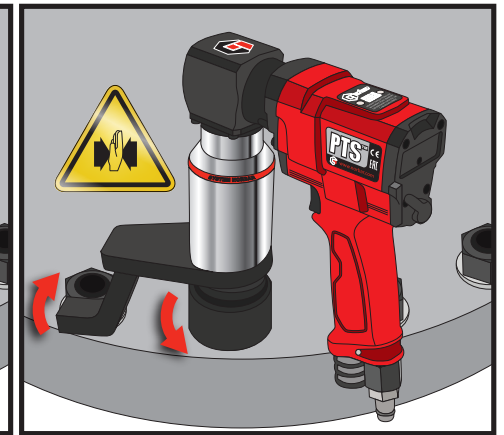


WARNING: ALWAYS KEEP HANDS CLEAR OF THE REACTION PLATE WHEN THE TOOL IS IN USE OR SERIOUS INJURY MAY RESULT.

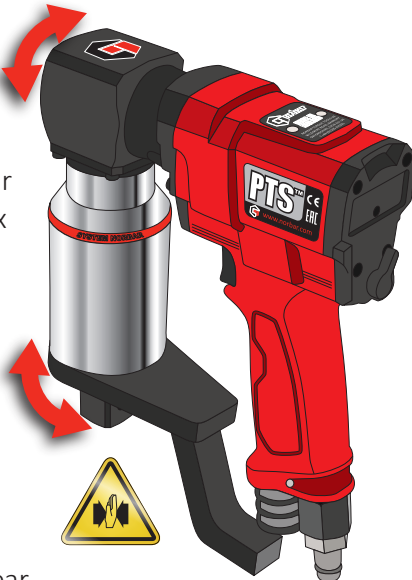
Clockwise Operation



Anti-Clockwise Operation



As the tool rotates on two different planes (the Right Angle Gearbox Adaptor and the Gearbox itself), there is a risk of objects getting caught between the tools reaction plate and the tools body.



Ensure all obstacles are clear from this risk, such as: hands, air hoses and electrical wires.

The Right Angle Gearbox has been designed to allow tools to fit applications with restricted access.

